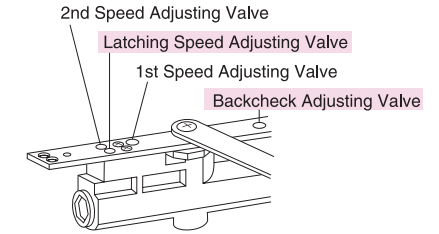
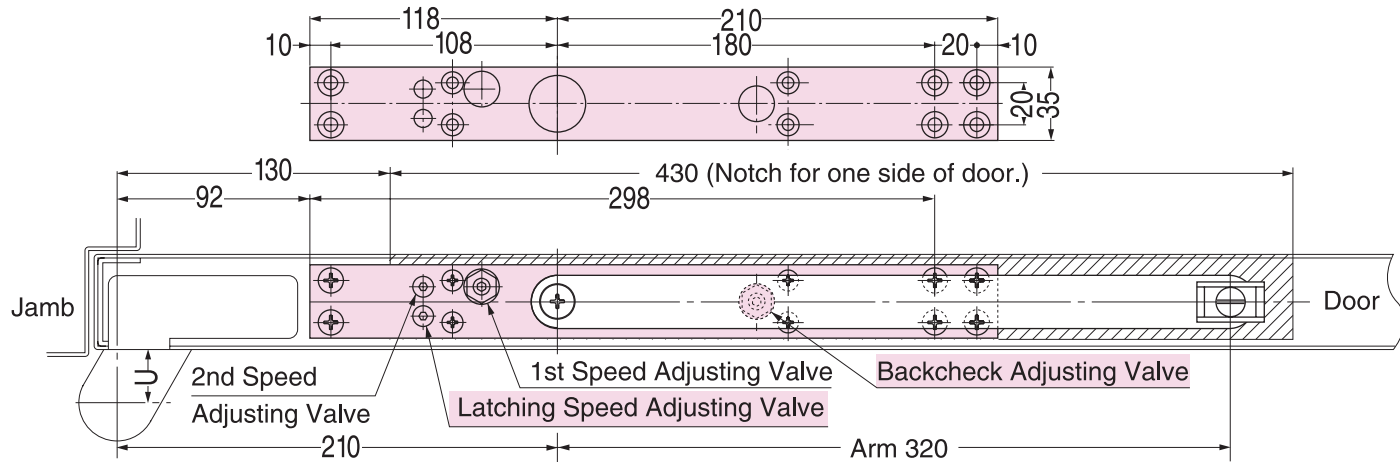


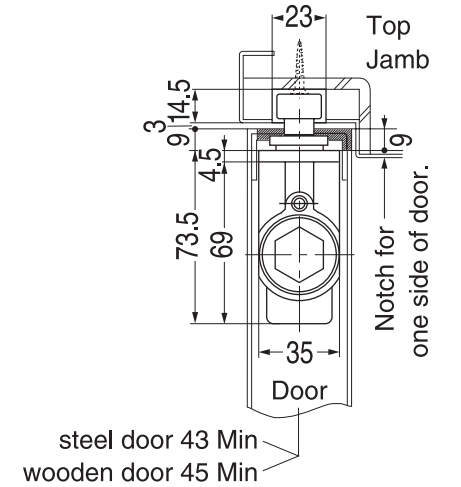
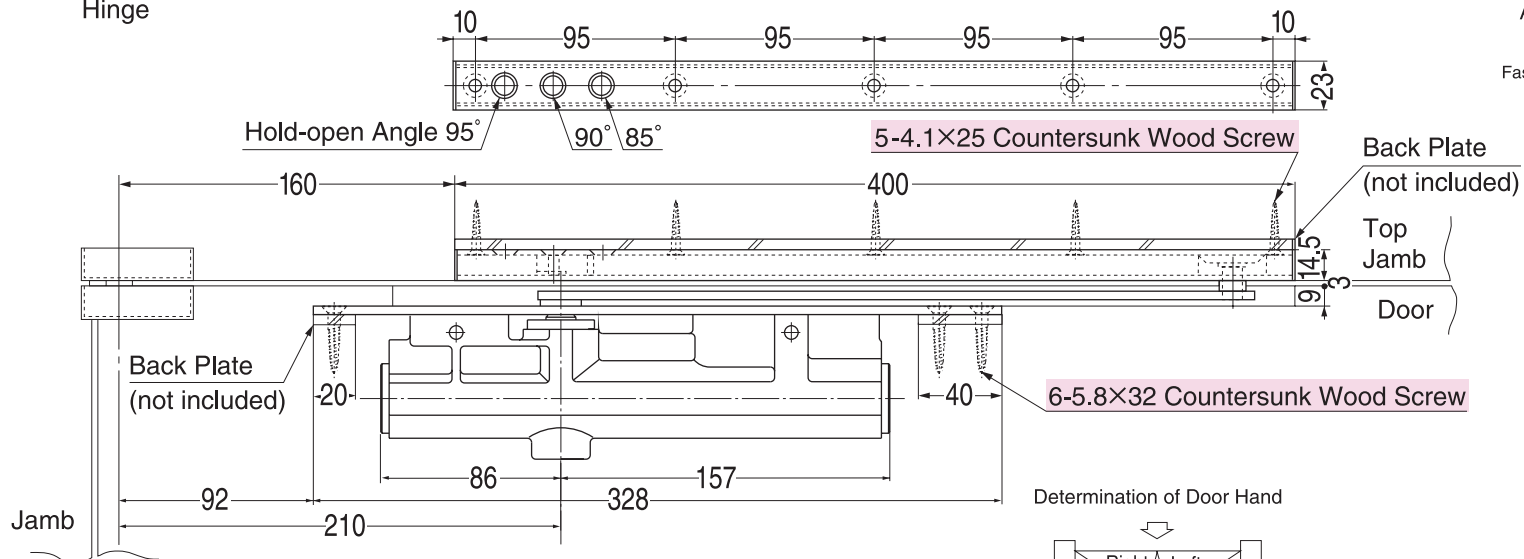
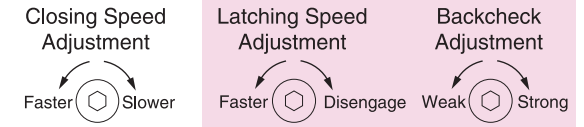
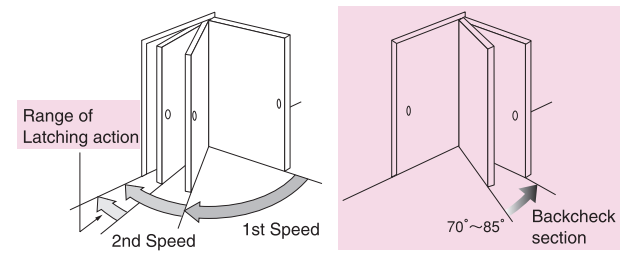


60 SERIES DOOR CLOSER CONCEALED TYPE

Without Hold-Open	With Hold-Open
CL-64	CL-164

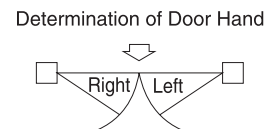


Hexagonal wrench key with diagonal length of 4 mm



Off-Set Hung Doors	Off-Set Dimension
	U 19~28mm

Install a doorstop without fail.



Specify hand when ordering.
Right-hand application shown.